

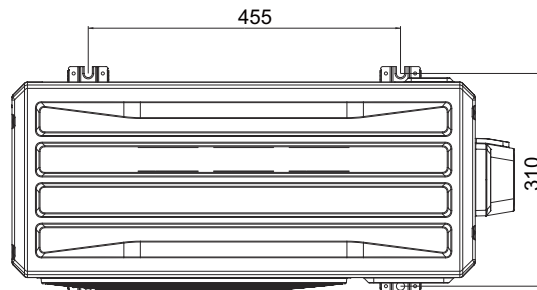
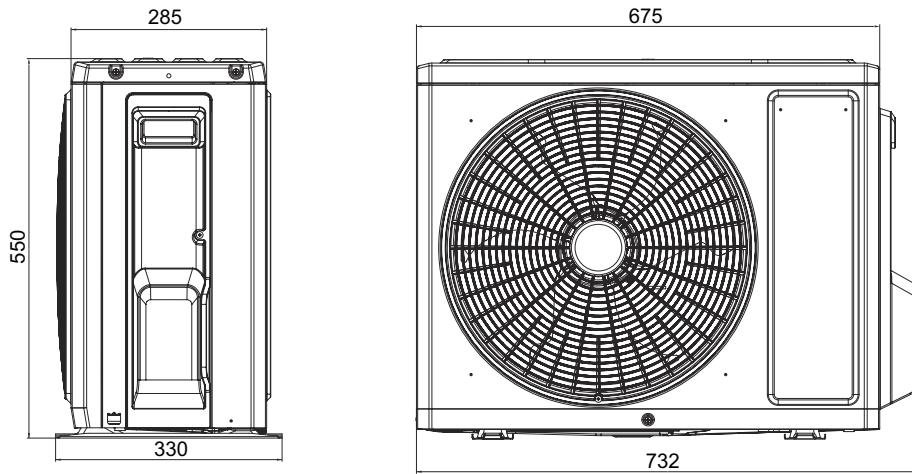
Model			GWH24AGD-K6DNA1A
Product Code			CB385001500
Power Supply	Rated Voltage	V~	220-240
	Rated Frequency	Hz	50
	Phases		1
Power Supply Mode			Outdoor
Cooling Capacity		W	6200
Heating Capacity		W	6500
Cooling Power Input		W	1631
Heating Power Input		W	1645
Cooling Power Current		A	7.5
Heating Power Current		A	7.6
Rated Input		W	2200
Rated Current		A	9.3
Rated Heating Current		A	9.7
Air Flow Volume(SS/H/MH/M/ML/L/SL)		m ³ /h	1050/950/800/750/700/650/600
Dehumidifying Volume		L/h	1.8
EER		W/W	3.80
COP		W/W	3.95
SEER		W/W	/
SCOP(Average/Warmer/Colder)			4.3/5.3/-
HSPF			/
Application Area		m ²	23-34
Indoor Unit	Indoor Unit Model		GWH24AGD-K6DNA1A/I
	Indoor Unit Product Code		CB385N01500
	Fan Type		Cross-flow
	Diameter Length(DXL)	mm	Φ106X739
	Fan Motor Cooling Speed(SS/H/MH/M/ML/L/SL)	r/min	1370/1200/1100/1000/920/850/750
	Fan Motor Heating Speed(SS/H/MH/M/ML/L/SL)	r/min	1370/1200/1120/1050/980/900/850
	Output of Fan Motor	W	50
	Fan Motor RLA	A	0.24
	Fan Motor Capacitor	μF	/
	Input of Heater	W	/
	Evaporator Form		Aluminum Fin-copper Tube
	Pipe Diameter	mm	Φ7
	Row-fin Gap	mm	2-1.4
	Coil Length (LXDXW)	mm	745X22.8X342.9
	Swing Motor Model		MP24BA MP24AK MP24HF
	Output of Swing Motor	W	1.5/1.5/1.5
	Fuse	A	3.15
	Sound Pressure Level(SS/H/MH/M/ML/L/SL)	dB (A)	Cooling:46/42/40/38/36/32/25 Heating:49/44/42/40/36/32/29
	Sound Power Level(SS/H/MH/M/ML/L/SL)	dB (A)	Cooling:63/59/57/55/53/49/42 Heating:63/58/56/54/50/46/43
	Dimension (WXHXD)	mm	982X311X221
	Dimension of Carton Box (LXWXH)	mm	1039X377X287
Dimension of Package (LXWXH)	mm	1044X385X297	
Net Weight	kg	13.5	
Gross Weight	kg	16	

Outdoor Unit	Model of Outdoor Unit		GWH24AGD-K6DNA1A/O
	Product Code of Outdoor Unit		CB385W01500
	Compressor Manufacturer/Trademark		ZHUHAI LANDA COMPRESSOR CO., LTD
	Compressor Model		GTD141UKRF8JT6G
	Compressor Oil		ACS-68R
	Compressor Type		Rotary
	L.R.A.	A	20.00
	Compressor RLA	A	3.65
	Compressor Power Input	W	1150
	Overload Protector		KSD1-115/95 HPC-115/95-UI
	Throttling Method		Capillary
	Operation Temp	°C	16~30
	Ambient Temp (Cooling)	°C	-15~48
	Ambient Temp (Heating)	°C	-15~24
	Condenser Form		Aluminum Fin-copper Tube
	Pipe Diameter	mm	Φ7
	Rows-fin Gap	mm	2-1.4
	Coil Length (LXDXW)	mm	804X38.1X616
	Fan Motor Speed	rpm	800
	Output of Fan Motor	W	60
	Fan Motor RLA	A	0.49
	Fan Motor Capacitor	μF	/
	Air Flow Volume of Outdoor Unit	m ³ /h	3000
	Fan Type		Axial-flow
	Fan Diameter	mm	Φ480
	Defrosting Method		Automatic Defrosting
	Climate Type		T1
	Isolation		I
	Moisture Protection		IPX4
	Permissible Excessive Operating Pressure for the Discharge Side	MPa	4.3
	Permissible Excessive Operating Pressure for the Suction Side	MPa	2.5
	Sound Pressure Level (H/M/L)	dB (A)	57/-/-
Sound Power Level (H/M/L)	dB (A)	65/-/-	
Dimension (WXHXD)	mm	912X646X373	
Dimension of Carton Box (LXWXH)	mm	960X408X680	
Dimension of Package (LXWXH)	mm	963X411X695	
Net Weight	kg	41	
Gross Weight	kg	44	
Refrigerant		R32	
Refrigerant Charge	kg	1.15	
Connection Pipe	Length	m	5
	Gas Additional Charge	g/m	16
	Outer Diameter Liquid Pipe	inch	1/4
	Outer Diameter Gas Pipe	inch	1/2
	Max Distance Height	m	10
	Max Distance Length	m	25
Note: The connection pipe applies metric diameter.			

The above data is subject to change without notice; please refer to the nameplate of the unit.

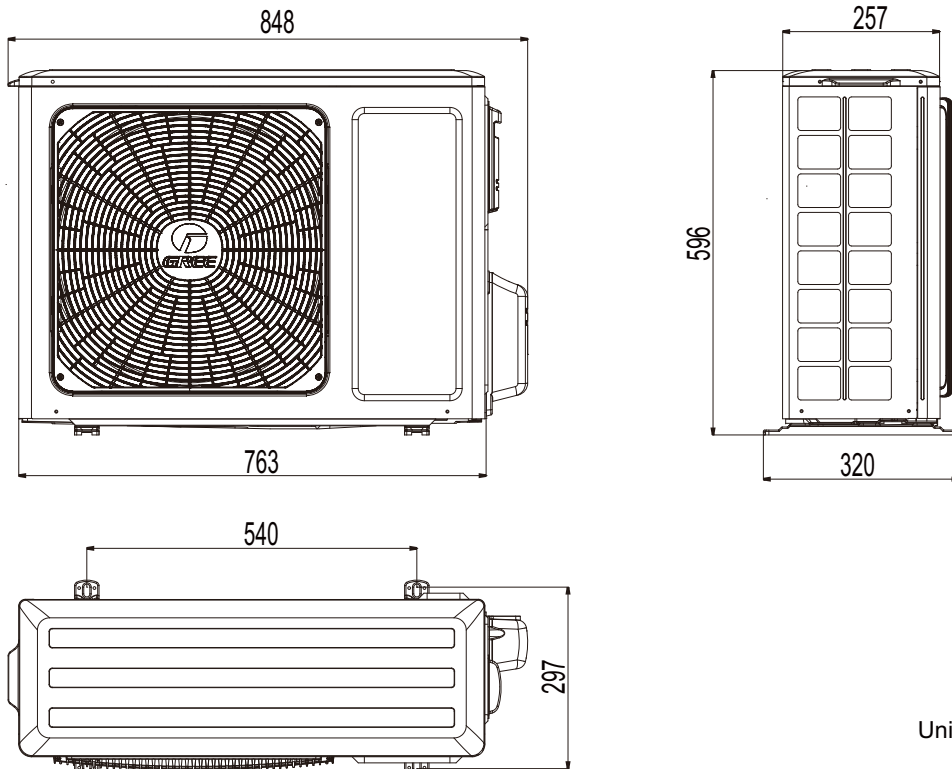
3.2 Outdoor Unit

09/12K



Unit:mm

18K



Unit:mm